

XIV Configuration list

NO.	Name	Specification	Quantity	Remark
1	Lamp head	LED-80W	1	
2	Lamp arm	—	1	
3	Fixed plate	—	1	
4	Power box	—	1	
5	Expansion screw	M10x12x100	2	
6	Tools	4# Hexagon socket wrench	1	
7	Fuse	F3AL250V-φ5x20mm	1	
8	Expansion screw decorative cap	—	2	
9	User manual	A5	1	
10	Certificate	—	1	

2025-05-08 version 1

KD-2036B-4 Operation Lamp

# USER MANUAL



NANJING YANAN SPECIAL LIGHTING FACTORY



### XIII Warranty card and maintenance card

#### Warranty card

Company name:			
Address		Phone No.	
Product name		Model	
Serial Number		Manufacture date	
Sale date			
Fault description:			
Remark: The warranty of our products is 18 months since release date. Please keep the certificate and instruction properly, and send it back with the product when repairing.			

(Please truthfully fill in this form, cut it according to the dotted line and send it back to our company, thank you for your cooperation)

-----

#### Maintenance card

Company name:			
Address		Phone No.	
Product name		Model	
Serial Number		Manufacture date	
Sale date			
Fault description:			
Note: if you use this card beyond warranty period, you can enjoy 30% discount repair service.			

## Content

I Brief introduction.....	1
II Performance summary.....	1
III Main technical parameters.....	1
IV Security tips and symbol instructions.....	2
V Working environment.....	3
VI Product interface.....	4
VII Usage.....	4
VIII Attentions.....	8
IX Problem solution.....	9
X Bulb replacement.....	9
XI After-sales service and warranty.....	9
XII Transportation and storage condition.....	10
XIII Warranty card and maintenance card.....	11
XIV Configuration list.....	12

### I Brief introduction

KD-2036B-4 operation lamp adopts high-power brand LED as the light source, and the brightness can be adjusted in three levels: high, medium and low. The lamp head and lamp arm can rotate freely, providing multi-angle illumination. When not in use, it can be collected against the wall. It is composed of lamp head, spring arm, power box and wall-mounted bracket.

The diameter of the lamp head of this product is 400mm, which is larger than the ordinary examination lamp head but smaller than the lamp panel of the shadowless lamp. Make up for small light spot, low illuminance and short lighting depth of the examination lamp. It is suitable for medical aesthetics, pet and animal medical care, outpatient lighting of various departments, and lighting for examination and surgery in home wards, etc.

### II Performance summary

1. The product adopts a low-voltage output cold light lighting design in its design and employs a wide-voltage power supply system. Low-pressure energy-saving, stable performance, safe and reliable, and extremely long service life.
2. The lamp head and lamp arm of this product can rotate freely, providing multi-angle illumination. It is easy to install and operate.
3. The design and production of this product fully implement GB9706.1-2020 "Medical Electrical Apparatus - Part 1: Safety - General Requirements", which is guaranteed in safety.

### III Main technical parameters

1. Rated voltage: AC100-240V 50Hz/60Hz
2. Input power:  $\leq 70VA$
3. Fuse: F3AL250V\*1
4. Product Specification: LED-80W
5. Product color temperature: 5000K~6000K
6. Lamp head diameter: 400mm

- ◆ If the marks on the product such as model, serial number, date of manufacture has been altered, deleted, moved, or unidentifiable, will not provide free warranty service.
- ◆ Failure caused by human factors such as falling, squeezing, soaking and damp is not covered by the warranty
- ◆ The production date is shown on label, service life is 5 years, we provide lifetime maintenance.
- ◆ After-sales No.: +86-25-52777091  
Telephone(WeChat): +86-13675197193

### XII Transportation and storage condition

Environment temperature:  $-40^{\circ}C \sim 55^{\circ}C$

Relative humidity: 30%~80%

Atmospheric pressure: 500hpa~1060hpa

**IX Failure judgment and eliminate** (This requires professional operation)

Fault phenomenon	Reason	Solution
Turn power switch, indicator light is not on.	1.Power supply circuit is no electricity.	Switch to a live supply line.
	2.Power cord is not properly connected.	Reconnect power cord.
	3.Fuse is blown.	Open fuse box⑬, replace fuse with the same specification.
Turn power switch, indicator light is on, lamp is not on.	1.Lamp switch is not turned on.	Touch the switch/brightness adjustment③ to turn on the light
	2.Poor contact with plug-ins.	Reconnect the plug-ins. See Picture 4-2.
	3.System line failure.	Contact the service department of our company.

**X Bulb replacement**

The bulb of the operation lamp is LED light source, normal life is up to 10000 hours, no need to replace normally. In case of any failure, please inform the manufacturer in time for processing.

**XI After-sales service**

- ◆ The product warranty period is 18 months
- ◆ During warranty period, send or give us your warranty card and purchase invoices, we will provide free maintenance service when you have quality problems.
- ◆ Light bulbs are consumable accessories.
- ◆ If you modified the function by yourself and then it does not work, is not covered under warranty.

7. Working distance: 700mm

**IV Security tips and symbol instructions**

1. During the installation and use of surgical lighting fixtures, basic safety precautions and necessary protective measures should always be adhered to.
2. Read and understand all the contents of the manual and operate correctly in accordance with the requirements of the manual.
3. When installing the operation lamp, you need to choose the wall that meet the installation requirements.
4. The installation and commissioning of the operation lamp must be carried out by professionals.
5. Before cleaning the operation lamp, please turn off the power switch, unplug the power cord, and do not use liquid or spray cleaners.
6. When the operation lamp is in use, the power cord should be firmly connected and kept away from the pedestrian passage. Do not place any items on the power cord to avoid human factors affecting the use of the operation lamp. Do not use this product near water.
7. When changing the bulb, you must first turn off the power switch and unplug the power cord. The old bulbs that have been replaced should be put in the waste bin and not discarded randomly.
8. Maintenance of the operation lamp must be operated by professional personnel. It is recommended that the operator wear an electrostatic ring to work.
9. The brightness of the operation lamp is very high. Caution should be exercised when using it for eye illumination. Do not observe with your eyes from the front when in use to avoid eye damage!
10. Illustration of symbols:



Attention ! Check the attached file



Protect the earth



Switch/Brightness adjustment



Disconnect



Connect

OFF

Turn off

ON

Turn on

### V Working environment

Environment temperature: -5°C ~40°C

Relative humidity: 35%~75%

Atmospheric pressure:700hPa~1060hPa

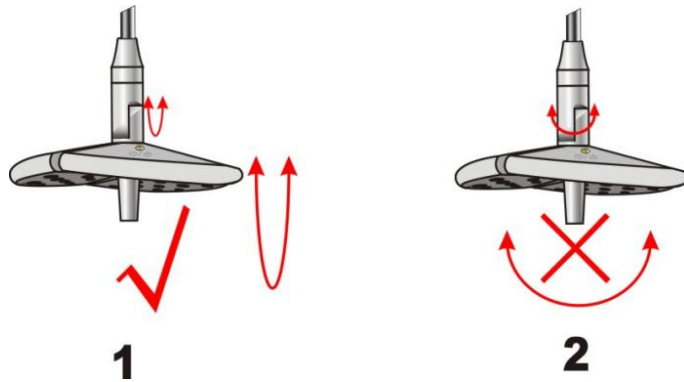
### VIII Attention

- 1.The surface of the operation lamp can be cleaned with a soft cloth or sponge. Do not use hard-bristled brushes, wire brushes, nor apply scouring powder, paint, banana water, acid, etc. to any surface.
- 2.When installing the operation lamp, please assemble and reinforce it in accordance with the technical requirements stated in the manual.
- 3.Spare fuses should be placed near the surgical lighting workplace, and their specifications and models should meet the basic parameter requirements so that they can be replaced in a timely manner.
- 4.The surface of the operation lamp should be cleaned and disinfected after the operation. [Please unplug the AC power plug before cleaning and prevent liquid from seeping into the lamp.] The cleaning agent must be neutral household detergent and anti-static agent. Phenolic, iodide or pentanurone-based disinfectants must not be used.
- 5.The lens surface of the operation lamp should be frequently cleaned of dust with medical gauze or a soft brush to maintain the illuminance.
- 6.It is strictly prohibited to hang any items other than this equipment on the operation lamp body. Do not heavily pull or rotate the lamp head or lamp arm when in use.
- 7.Each month, use 75% alcohol cotton to remove dust on the surface of the operation lamp [Note: Please unplug the AC power plug before cleaning and prevent liquid from seeping into the lamp.].
- 8.Conduct a comprehensive inspection of nut, switch, brightness and noise of the operation lamp every quarter, timely repair and adjustment if any abnormality is found.
- 9.Bulbs are consumables and have a basic life span. The normal life of LED bulb is about 10000 hours. Pay attention to how long bulbs are used and prepare for them in advance.
- 10.The service life of the operation lamp is five years. After the expiration, if it is scrapped, its metal, electronic components, plastic, glass and other materials should be uniformly and strictly treated in accordance with local environmental protection regulations to prevent their spread or reuse, minimizing the risk of environmental pollution.

indicator light<sup>⑩</sup> will light up. The lamp is on and the operation lamp will start to work.

2)The operation lamp has three levels of brightness adjustment. When it is turned on, the brightness is the highest. Each time the switch/brightness adjustment is touched, the brightness of the operation lamp will decrease by one level until the light is turned off. In any state, when the power switch<sup>⑫</sup> is turned off and then turned on again, the brightness is the highest.

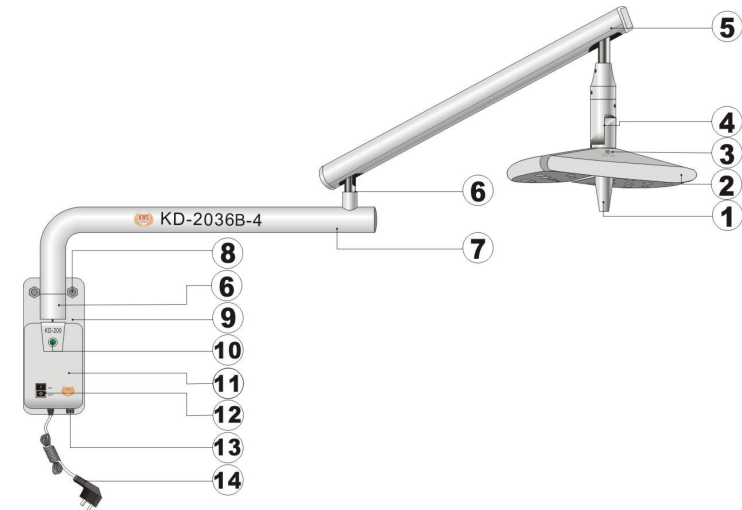
3)By holding the central handle<sup>①</sup>, the height and Angle of the lamp head can be adjusted up and down. Alternatively, a 90° rotation adjustment can be made through the vertical gap of the steering joint<sup>④</sup>, as indicated by the arrow in Picture 5-1. Do not turn in the direction indicated by the arrows in Picture 5-2, as it may cause joint damage and render the operation lamp unusable. The lamp head can also be adjusted left and right with the shaft sleeve<sup>⑥</sup> as the fulcrum to change the lighting position and Angle.



Picture 5

4)When not in use, turn off the power switch<sup>⑫</sup> and use the shaft sleeve<sup>⑥</sup> as a fulcrum to collect the lamp against the wall.

## VI Product interface (Picture 1)



Picture 1

- ①Central handle ②Lamp head ③Switch/Brightness adjustment
- ④Steering joint ⑤Spring arm ⑥Shaft sleeve ⑦Horizontal arm
- ⑧Expansion screw ⑨Fixed plate ⑩Power indicator light
- ⑪Power box ⑫Power switch ⑬Fuse box ⑭Power cord

## VII Usage

### 1. Check before use

- 1)Unpack and check whether the product is damaged or missing parts
- 2)According to the Configuration List, check whether the product model, name, quantity and accessories are consistent with the Configuration List; If any problem is found, please contact manufacturer in time.

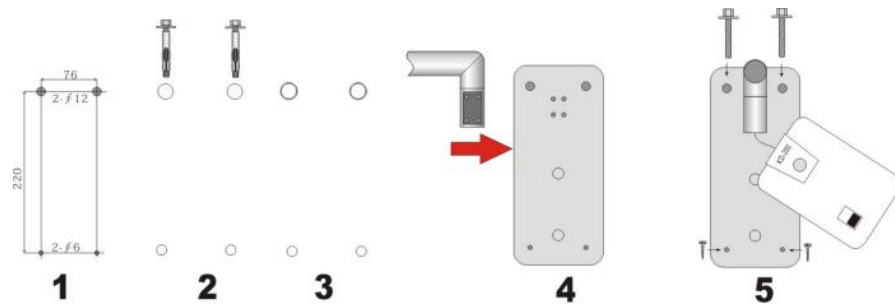
### 3)Read the instructions carefully and follow the installation steps.

### 2.Product installation and usage

- 1)The quality of the wall is an important factor for the safety of the installation and the use of surgical lighting, and the general concrete wall, brick-concrete wall, steel plate wall, and 24 brick wall can meet the

safety requirements. The installation height of wall-mounted surgical lamps is generally around 1.8 meters. [Note: gypsum board, plastic partition, thin wooden wall, etc. can not meet the safety requirements, need to confirm before installation]

2) Draw two holes on the selected wall according to Picture 2-1 or with a fixed plate⑨. [Note: The larger hole should face upwards and the centers of the two holes should be on the same horizontal line!]. After the drawing is completed, use a  $\phi$  12mm drill bit to drill two embedded holes with a depth  $>120$ mm at the top. After removing the debris in the holes, install the expansion screws, strike the end with a hammer to make the expansion pipe on the same plane as the wall, tighten it with a wrench and remove the screws for future use. Use a  $\phi$  6mm drill bit to drill two embedded holes with a depth  $>30$ mm at the lower end. The debris in the holes was removed and the expansion tubes were installed, as shown in Picture 2-1、2、3.

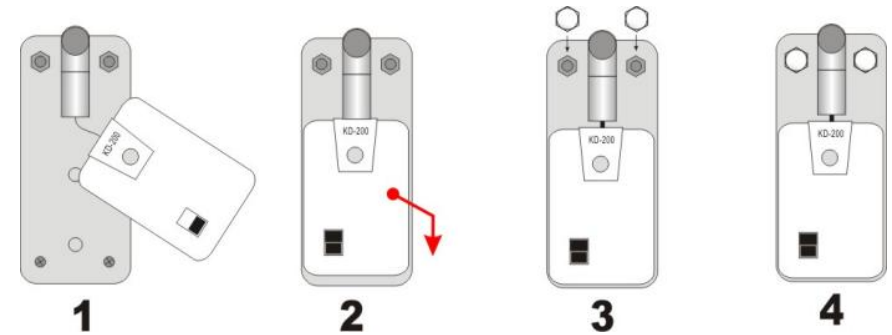


Picture 2

3) Remove the 4 screws on the shaft sleeve⑥, align the shaft sleeve⑥ with the fixed plate ⑨, then reinstall the 4 screws and tighten them, as shown in Picture 2-4、5. At this point, the fixed plate⑨, the horizontal arm⑦ and the spring arm⑤ are connected as one.

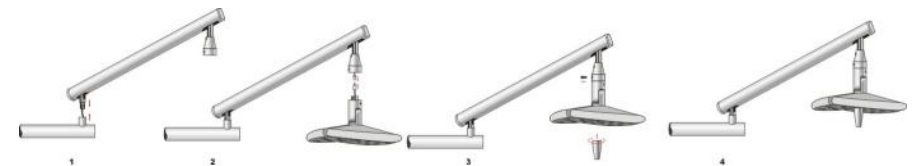
4) Align the installation holes of the fixed plate⑨ with the expansion pipe on the wall, insert the two spare screws and tighten them with a wrench. Make sure that the horizontal arm⑦ is at the same level when placed to

the left and right. Then, use  $\phi$ 4mm self-piercing screws to tighten the two holes at the lower end of the fixed plate⑨, as shown in Picture 2-5.



Picture 3

5) Align the fixing holes on the back of the power box with the two fixing buttons on the fixed plate. Press the power box down to position it and then pull it down to fix it on the fixed plate, as shown in Picture 3-1、2、3. Then install the two expansion screw decorative caps onto the hexagonal heads of the expansion screws, as shown in Picture 3-3、4. 6) Remove the fixing screws on the lamp head connection piece, connect the power connection plug firmly, then connect the lamp head connection piece to the spring arm, install the fixing screws and tighten them. Finally, install the central handle① and tighten it. The surgical lamp installation is completed. See Figures 4-1、2、3、4.



Picture 4

### 3.Usage

1) Connect the plug of the power cord⑭ to the network power supply, press the power switch⑫ on the power box⑪, and the power